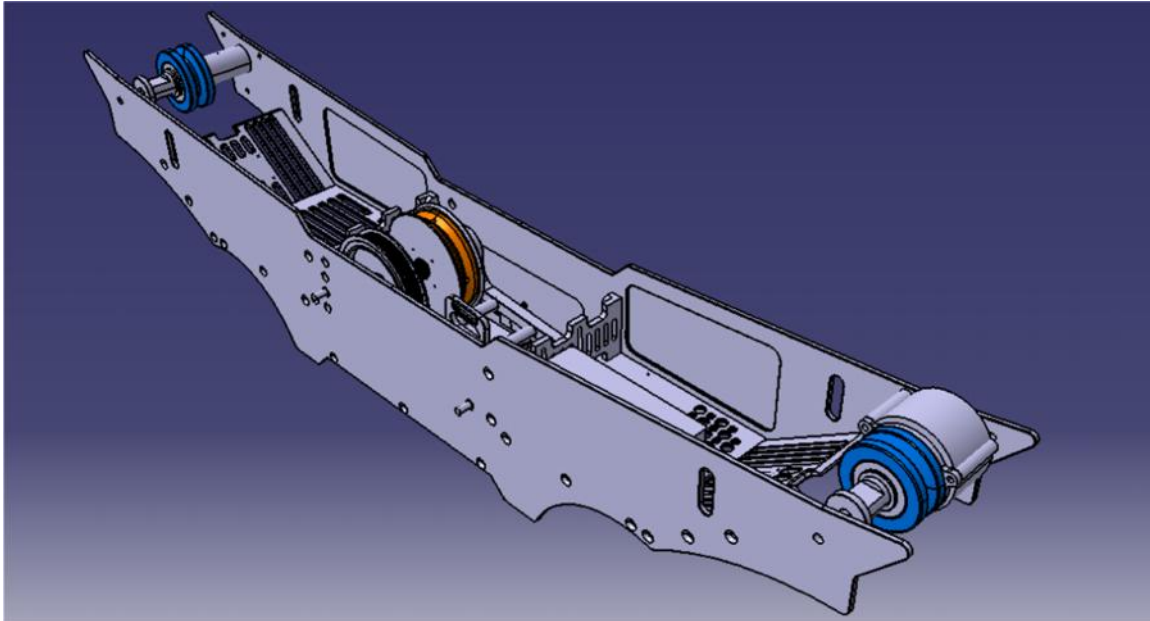


VH Cable cam



Specifications:

MATERIAL	7075 Aluminum
WEIGHT	5kg
SIZE	Body Length :864 x 216 x 148 (mm)
MAX SPEED	80km/h
PAYLOAD	Maximum 25kg / Recommended 10kg
MAX WIRE TILT ANGLE	Below 20 degrees
Remote Controller BANDWIDTH	2.40000 ~ 2.4835 GHz
OPERATING TEMPERATURE	-10 ~ +55°C
MAX SPEED	80km/h
Power	4 to 6 cell Lithium-polymer Battery
Controller	CPS auto control system



